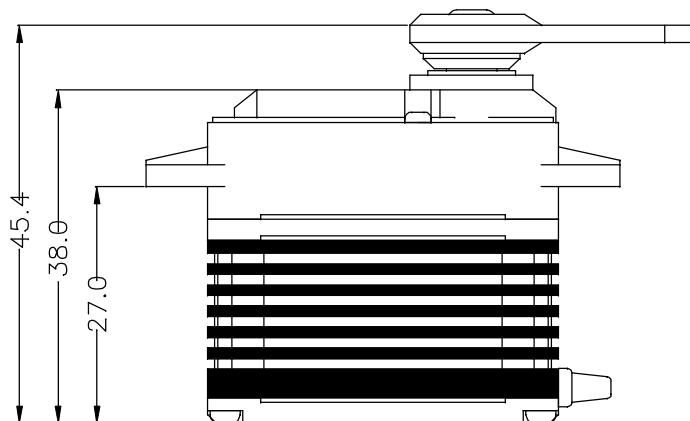
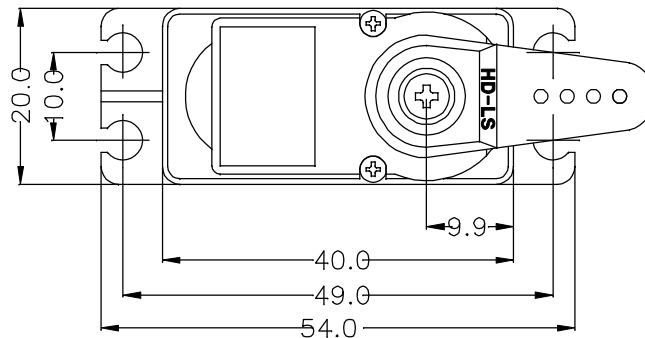


Large

# GENERAL SPECIFICATION OF HS-7950TH ULTRA TORQUE DIGITAL SERVO

## 1. TECHNICAL VALUE

CONTROL SYSTEM	: +PULSE WIDTH CONTROL 1500usec NEUTRAL	
OPERATING VOLTAGE RANGE	: 6.0V TO 7.4V	
OPERATING TEMPERATURE RANGE	: -20°C TO +60°C (-4°F TO +140°F)	
TEST VOLTAGE	: AT 6.0V	AT 7.4V
OPERATING SPEED	: 0.17sec/60° NO LOAD	0.14sec/60° AT NO LOAD
STALL TORQUE	: 29.0kg.cm(402.73oz.in)	35.0kg.cm(486.05oz.in)
STANDING TORQUE	: -	-
IDLE CURRENT	: 8mA AT STOPPED	10mA AT STOPPED
RUNNING CURRENT	: 360mA/NO LOAD RUNNING	440mA/NO LOAD RUNNING
STALL CURRENT	: 7,300mA	9,000mA
DEAD BAND WIDTH	: 2usec	2usec
OPERATING TRAVEL	: 40±5°/ONE SIDE PULSE TRAVELING 400usec	
DIRECTION	: CLOCK WISE/PULSE TRAVELING 1500 TO 1900usec	
MOTOR TYPE	: CORELESS METAL BRUSH	
POTENTIOMETER TYPE	: 4 SLIDER/1M CYCLE LONG LIFE/INDIRECT DRIVE	
AMPLIFIER TYPE	: ATMEGA48 MCU DIGITAL AMPLIFIER WITH MOSFET DRIVE	
DIMENSIONS	: 40x20x38mm(1.57x0.79x1.50in)	
WEIGHT	: 65.0g(2.29oz)	
BALL BEARING	: DUAL/MR106	
GEAR MATERIAL	: 1 METAL-PLASTIC & 3 TITANIUM ALLOY	
HORN GEAR SPLINE	: 24 SEGMENTS/∅5.76	
SPLINED HORNS	: HEAVY DUTY/HD-IS, HD-O, HD-LS, HD-IL, HD-LL	
CONNECTOR WIRE LENGTH	: 300mm(11.81in)	
CONNECTOR WIRE STRAND COUNTER	: 60EA	
CONNECTOR WIRE GAUGE	: 22AWG	



## 2. FEATURES

- PROGRAMMABLE DIGITAL AMPLIFIER WITH MOSFET DRIVE
- DURABLE TITANIUM ALLOY METAL GEARS WITH DUAL BALL BEARING
- ULTRA HARDNESS GEAR SHAFT WITH 3 AXIAL METAL BUSHING
- WATER & DUST RESISTANT
- HEAT SINK FOR MOTOR

## 3. APPLICATIONS

- LARGE AIR PLANE MODELS